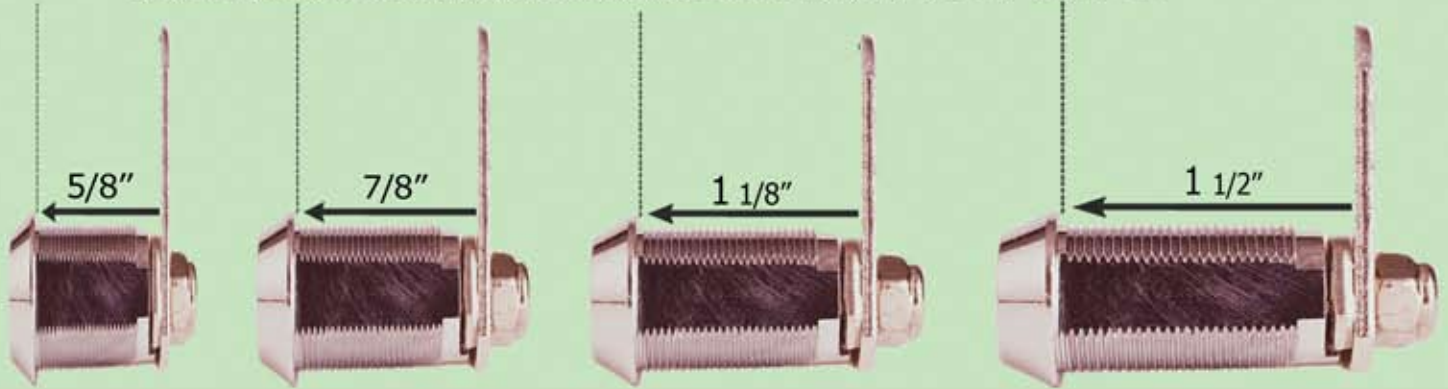


Replacing your RV storage locks made simple.

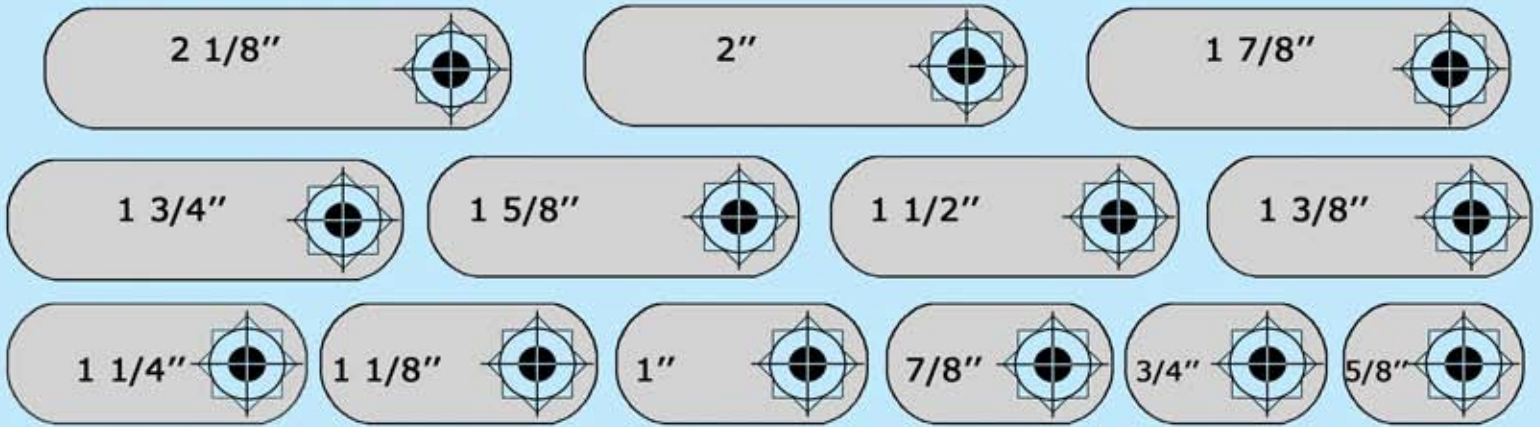
STEP 1 LOCKS

Determine what size lock you're replacing by placing your current lock on the image below. Tubular standard lock sizes are manufactured in 5/8", 7/8", 1 1/8" and 1 1/2"



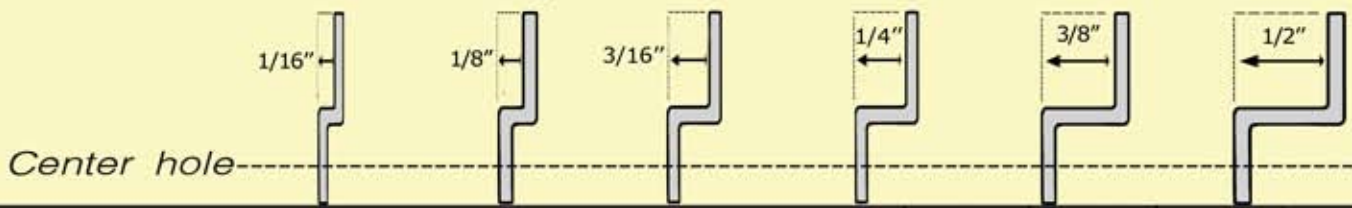
STEP 2 CAMS

Determine what size cam/locking arm is required by placing your current cam on the image below. (PLEASE NOTE: cams are measured from center of hole to furthest outside radius).



STEP 3 BENDS

Some locks are manufactured with offset/inset cams. Determine the offset/inset dimension by placing your current cam/locking arms on the image below. NOTE: Not all cams/locking arms are manufactured with 90° angles; however all offset/insets are measured in the same way.



ORDERING INFORMATION

NAME _____
 ADDRESS _____
 CITY _____ STATE _____ ZIP CODE _____
 PHONE _____
 E-MAIL _____
 CREDIT CARD# _____
 CREDIT CARD HOLDER'S NAME _____
 EXPIRATION DATE _____ CVC# _____ VISA MASTERCARD AMERICAN EXPRESS DISCOVER

QTY	LOCKS SIZE	CAMS SIZE	BENDS SIZE	TOTAL AMOUNT

* 3 or more RV locks no shipping/handling charges

SUB-TOTAL _____
 STATE TAX (CA ONLY) _____
 SHIPPING/HANDLING _____
 TOTAL _____

Complete this form and fax it to 661-224-1011 or mail to:
 40222B, La Quinta Lane, #101, Palmdale, CA 93551